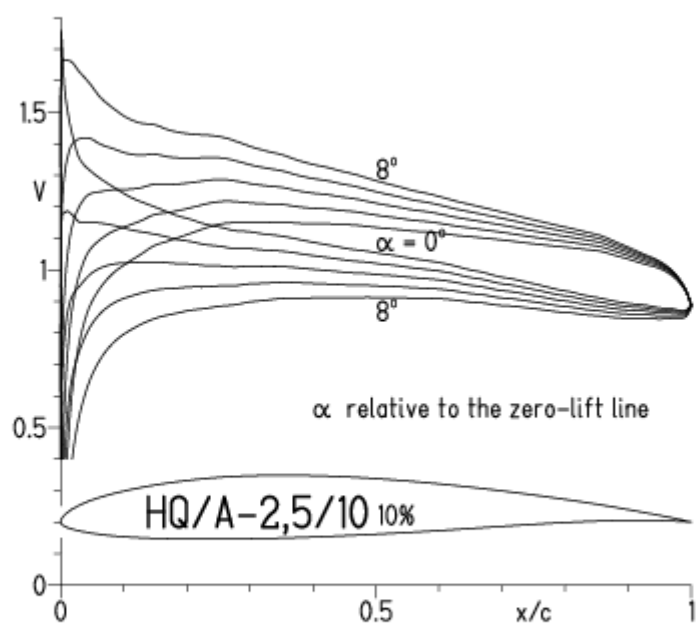


HQ/ACRO-2,5/10, N=11

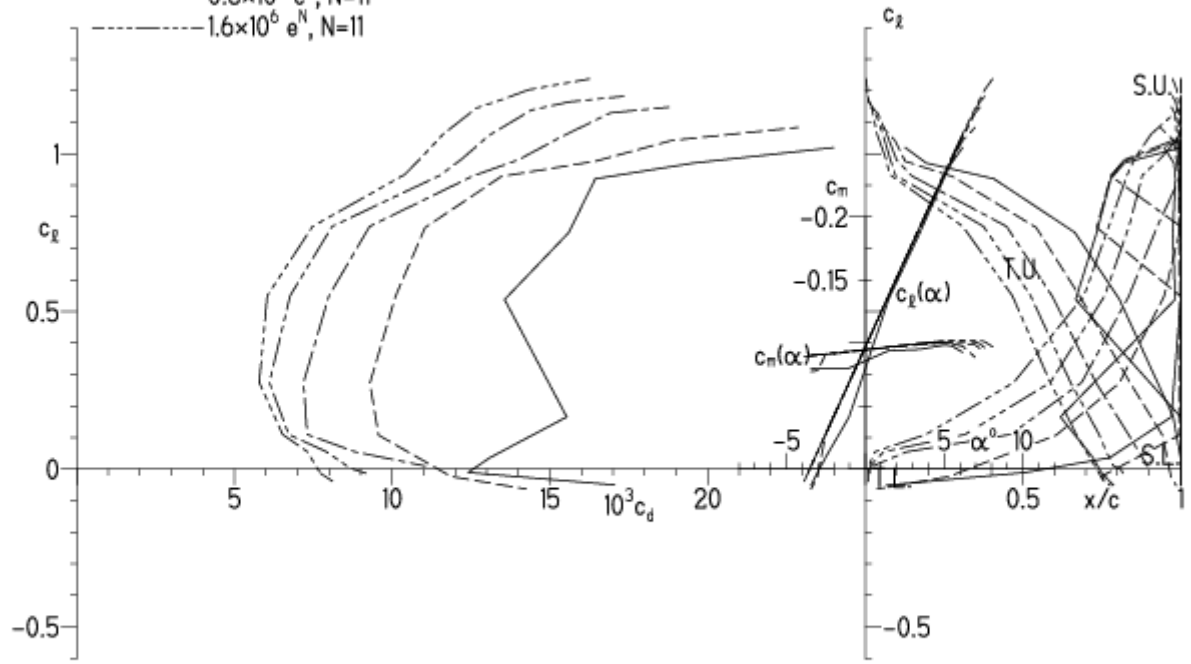
EPPLER 2005 V. 8.5.07 RUN 13.8.12 12:41



EPPLER 2005 V. 8.5.07 RUN 1

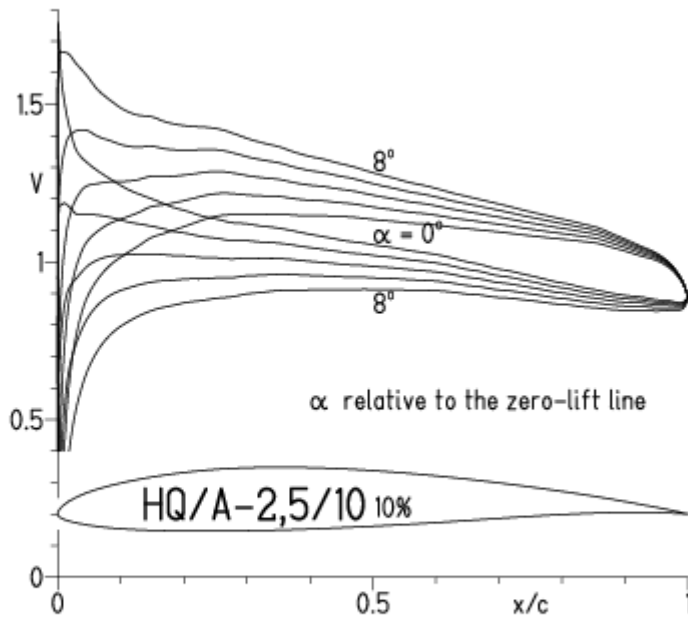
HQ/A-2,5/10 10%

- $Re = 0.1 \times 10^6 e^N, N=11$
- - - $0.2 \times 10^6 e^N, N=11$
- · - $0.4 \times 10^6 e^N, N=11$
- · - · $0.8 \times 10^6 e^N, N=11$
- · - · - $1.6 \times 10^6 e^N, N=11$

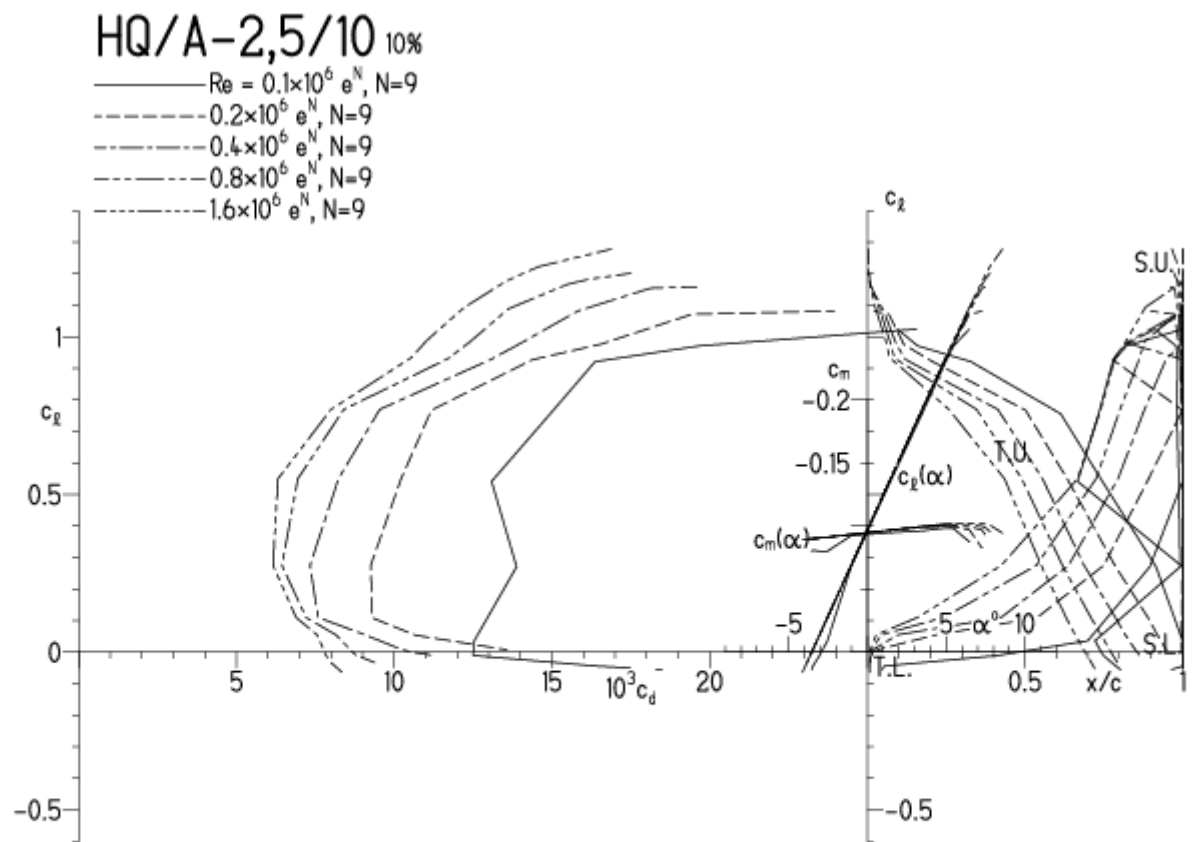


HQ/ACRO-2,5/10, N=9

EPPLER 2005 V. 8.5.07 RUN 15.8.12 12:34

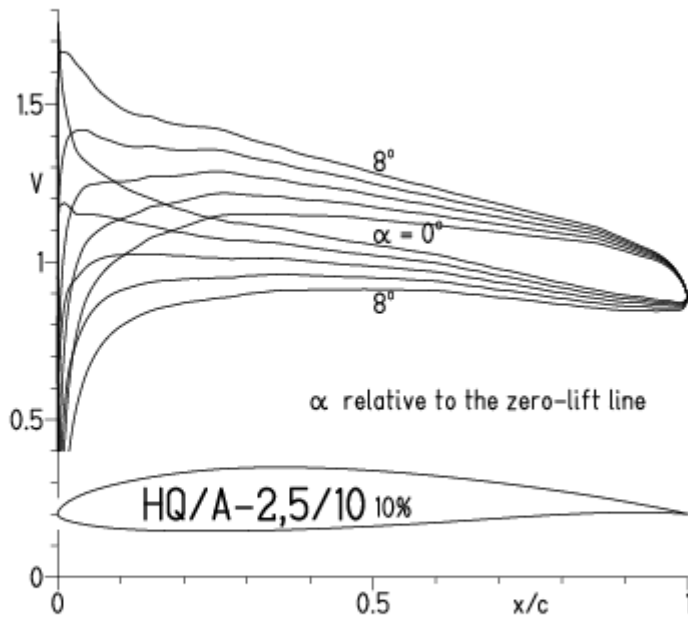


EPPLER 2005 V. 8.5.07 RUN 15.8.12 12:34



HQ/ACRO-2,5/10, N=9 (turbulenter Flächenspitzenbereich)

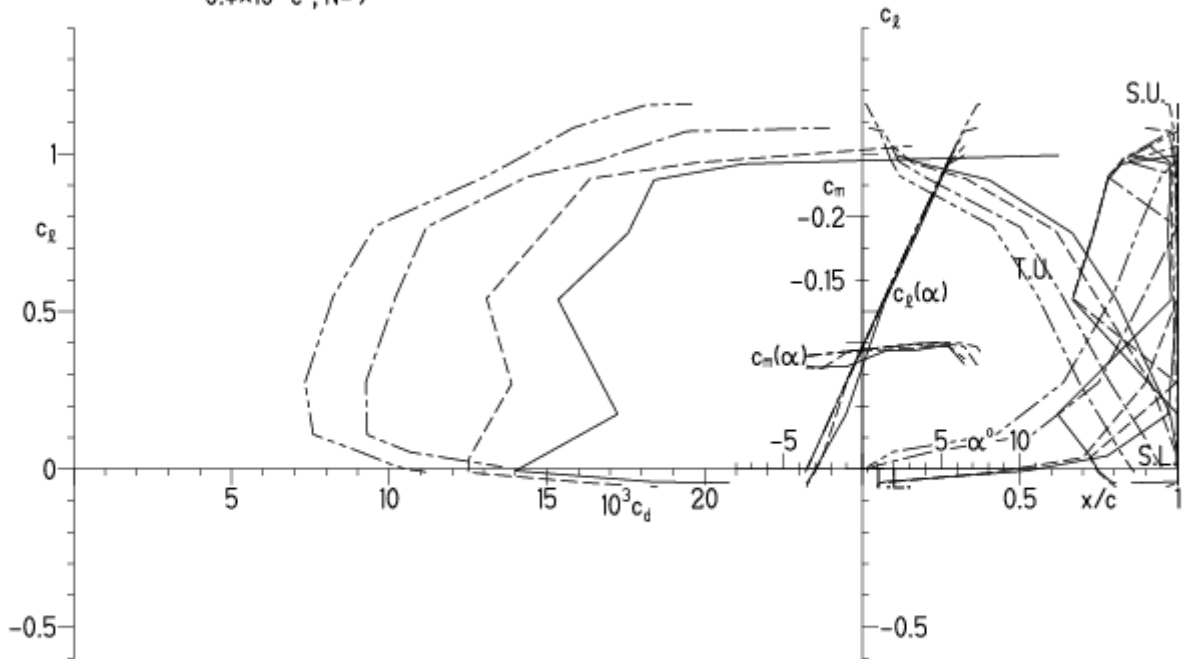
EPPLER 2005 V. 8.5.07 RUN 15.8.12 12:46



EPPLER 2005 V. 8.5.07 RUN 15.8.12 12:46

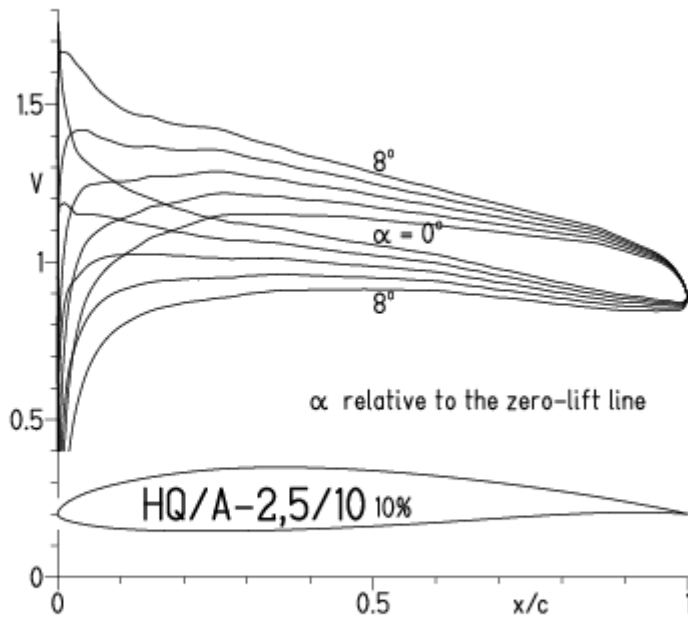
HQ/A-2,5/10 10%

- $Re = 75\,000 e^N, N=9$
- - - $0.1 \times 10^6 e^N, N=9$
- · - $0.2 \times 10^6 e^N, N=9$
- · - · $0.4 \times 10^6 e^N, N=9$



HQ/ACRO-2,5/10, N=7 (turbulenter Flächenspitzenbereich)

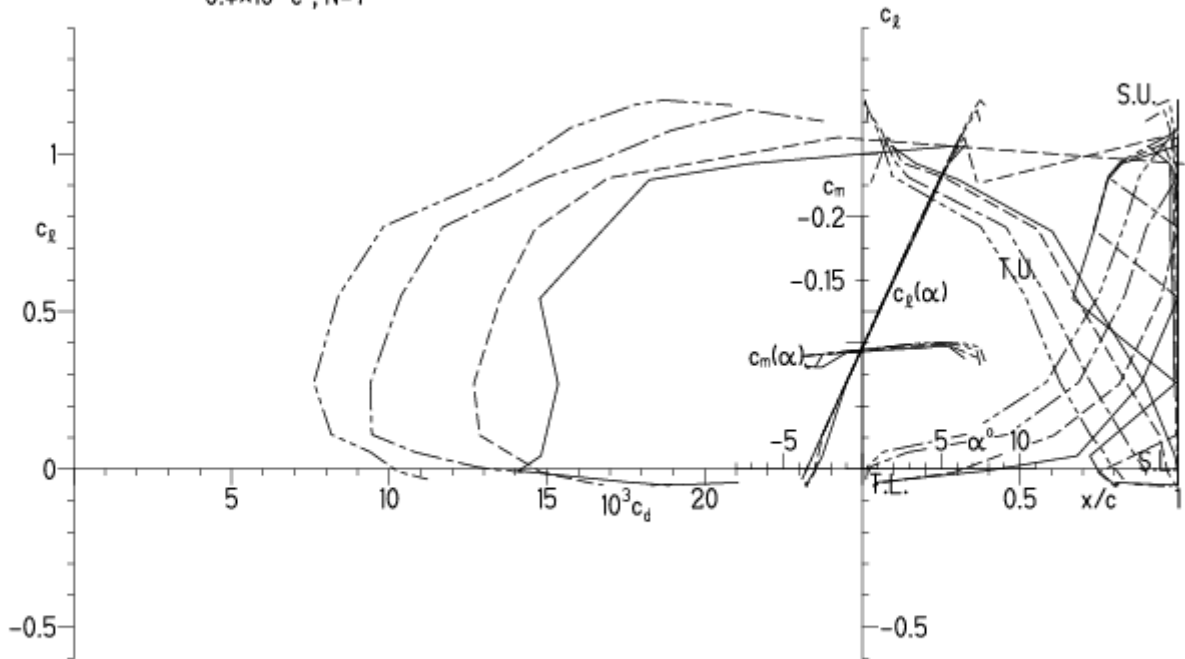
EPPLER 2005 V. 8.5.07 RUN 15.8.12 12:57



EPPLER 2005 V. 8.5.07 RUN 15.8.12 12:57

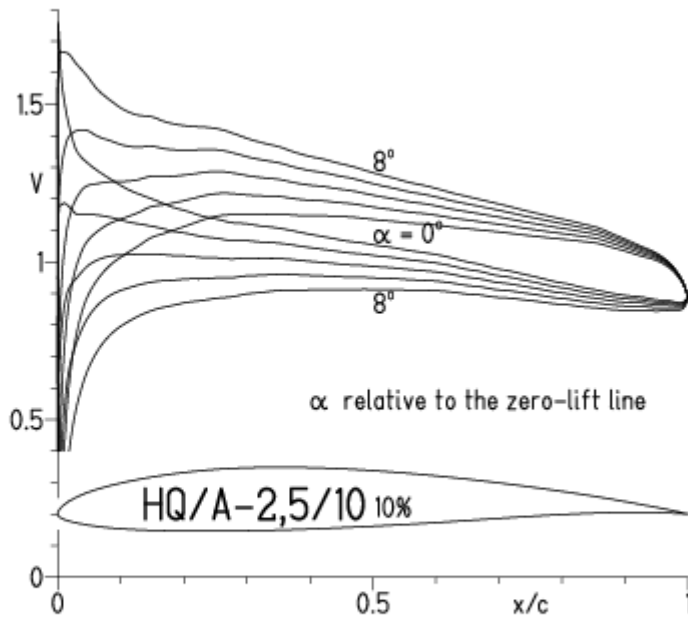
HQ/A-2,5/10 10%

- $Re = 75\,000 e^N, N=7$
- - - $0.1 \times 10^6 e^N, N=7$
- · - $0.2 \times 10^6 e^N, N=7$
- · · - $0.4 \times 10^6 e^N, N=7$



HQ/ACRO-2,5/10, N=7 (turbulenter Flächenspitzenbereich), Turbulatoreffekt

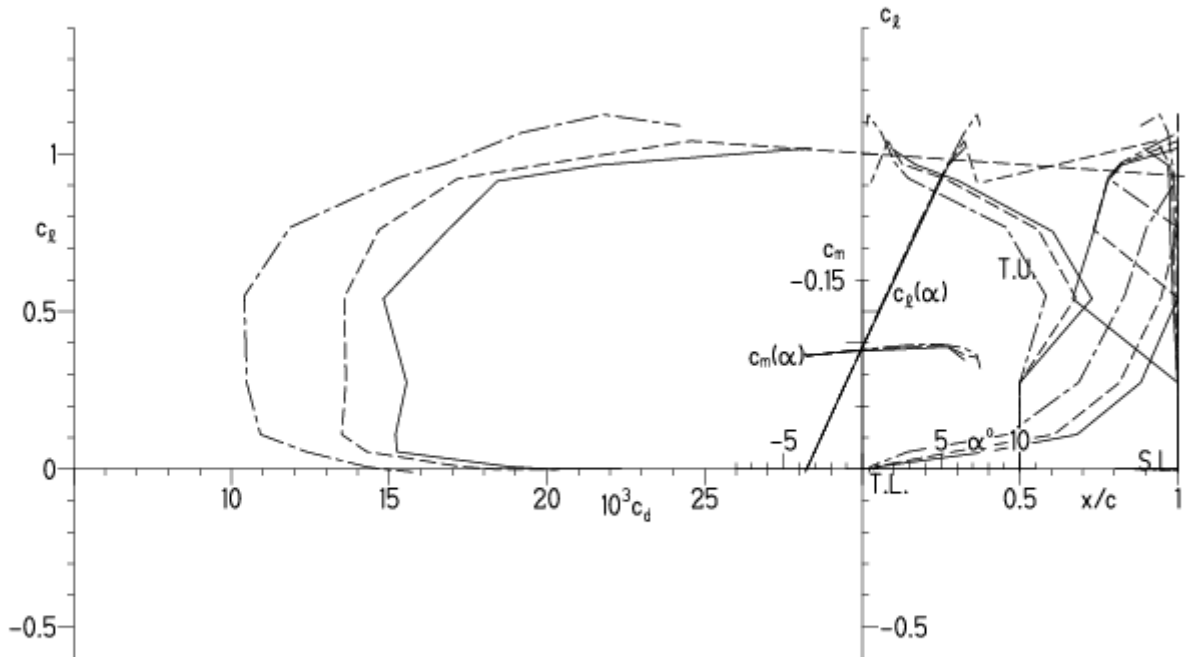
EPPLER 2005 V. 8.5.07 RUN 15.8.12 13:00



EPPLER 2005 V.

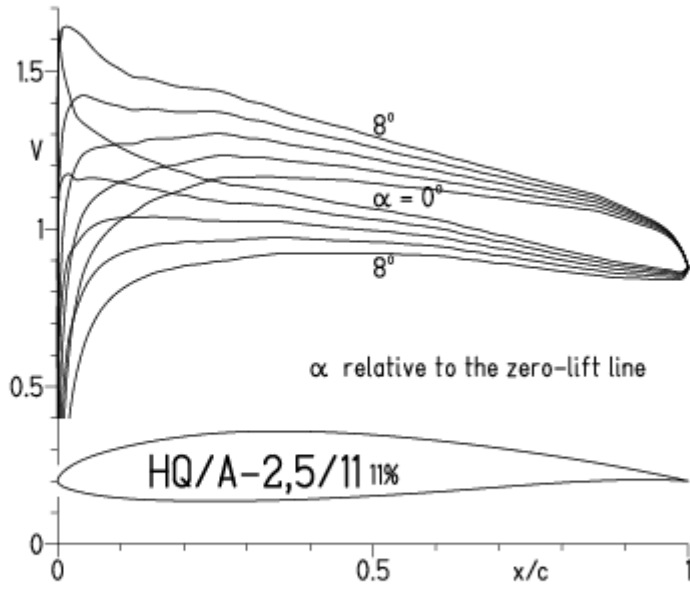
HQ/A-2,5/10 10%

- $Re = 75\,000$, Turb. upper 50% e^N , $N=7$
- - - 0.1×10^6 , Turb. upper 50% e^N , $N=7$
- · - 0.2×10^6 , Turb. upper 50% e^N , $N=7$

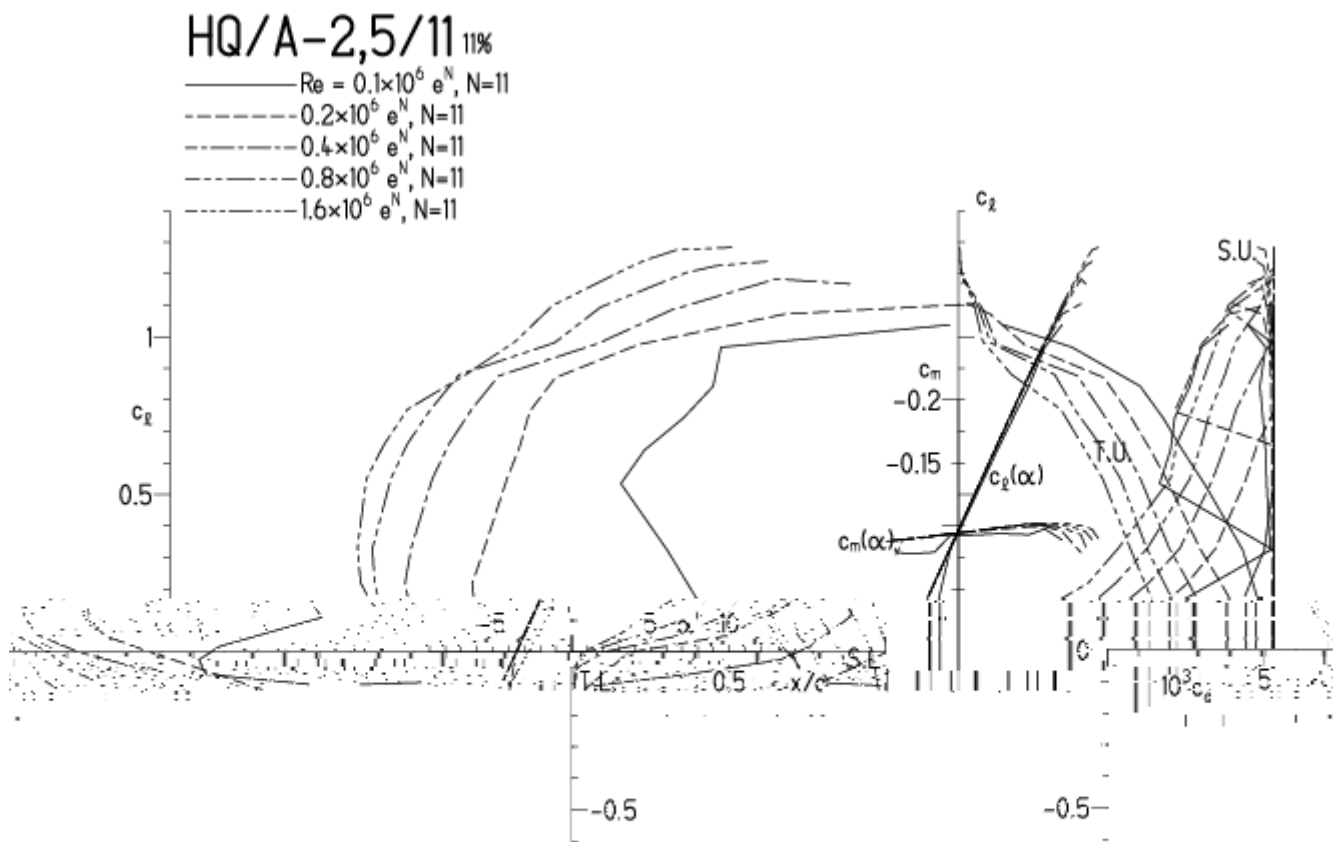


HQ/ACRO-2,5/11, N=11

EPPLER 2005 V. 8.5.07 RUN 15.8.12 16:44

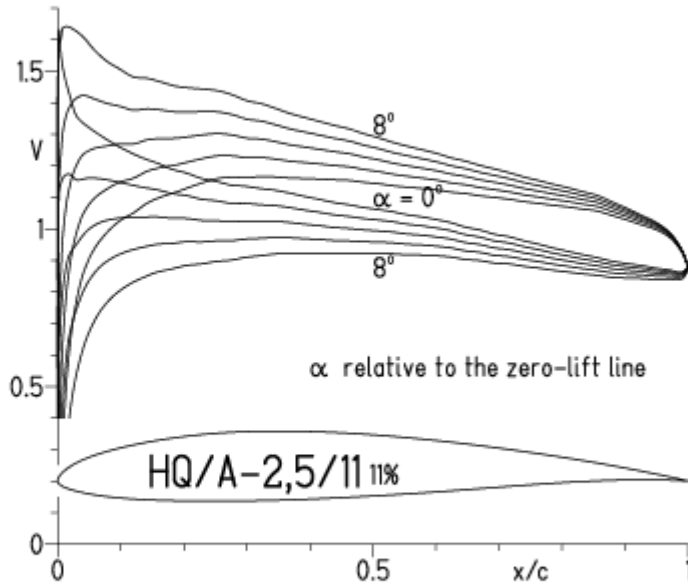


EPPLER 2005 V. 8.5.07 RUN 15.8.12 16:44

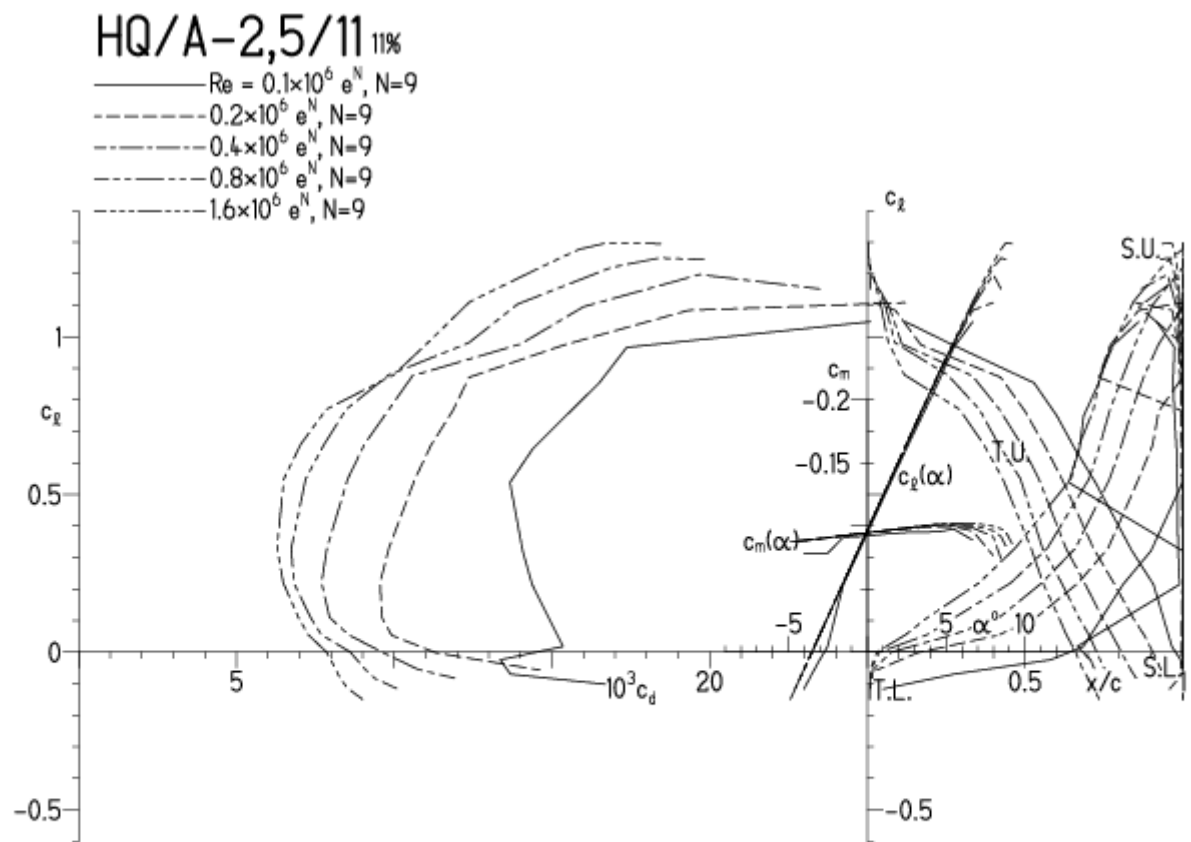


HQ/ACRO-2,5/11, N=9

EPPLER 2005 V. 8.5.07 RUN 16.8.12 18:46

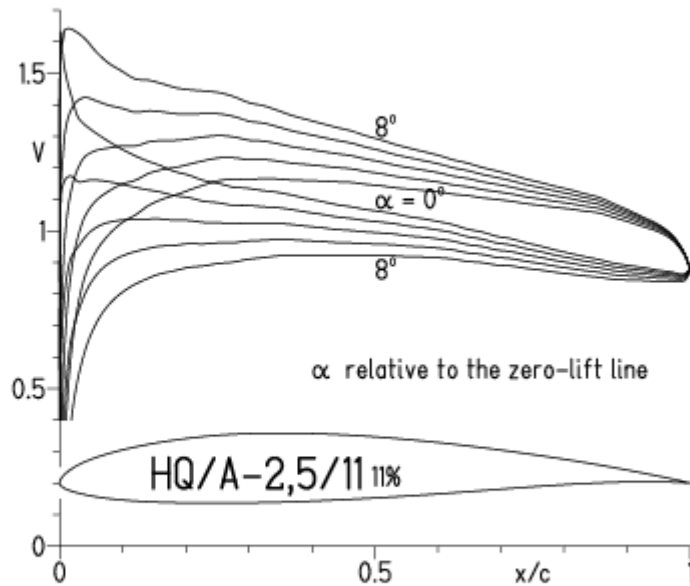


EPPLER 2005 V. 8.5.07 RUN 16.8.12 18:46



HQ/ACRO-2,5/11, N=7 (turbulenter Flächenspitzenbereich), Turbulatoreffekt

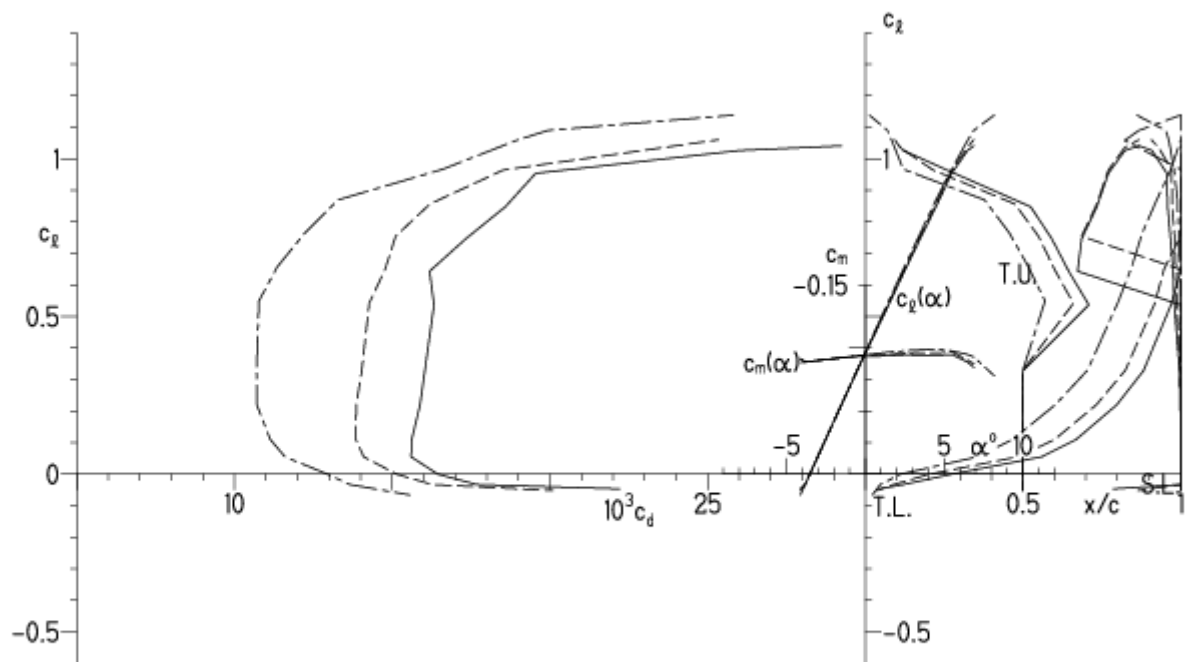
EPPLER 2005 V. 8.5.07 RUN 16.8.12 19:12



EPPLER 2005 V. 8.5.07 RUN 16.8.12 19:12

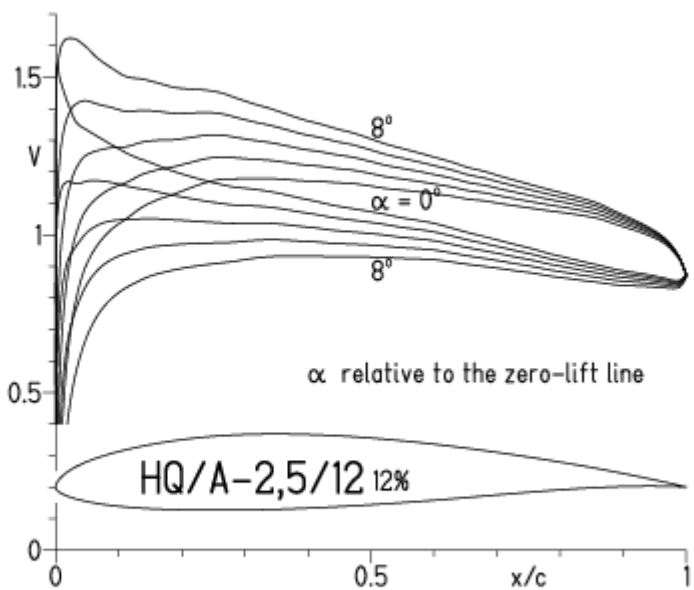
HQ/A-2,5/11 11%

- $Re = 75\,000$, Turb. upper 50% e^N , $N=7$
- - - 0.1×10^6 , Turb. upper 50% e^N , $N=7$
- · - 0.2×10^6 , Turb. upper 50% e^N , $N=7$



HQ/ACRO-2,5/12, N=11

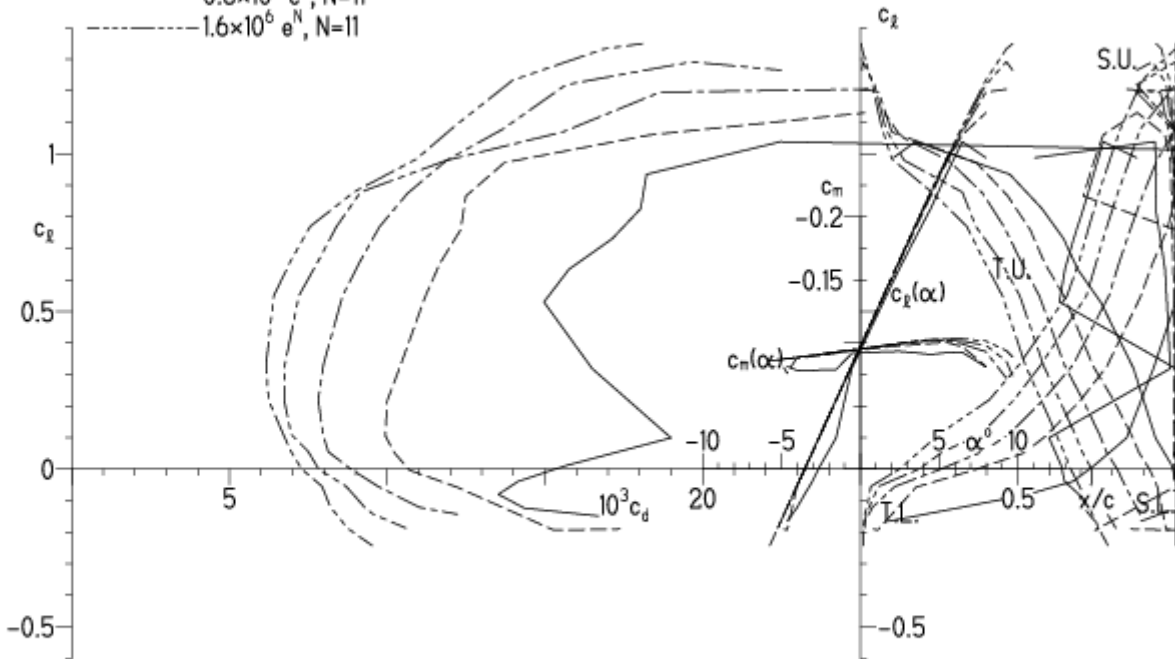
EPPLER 2005 V. 8.5.07 RUN 22.8.12 11:49



EPPLER 2005 V. 8.5.07 RUN 22.8.12 11:49

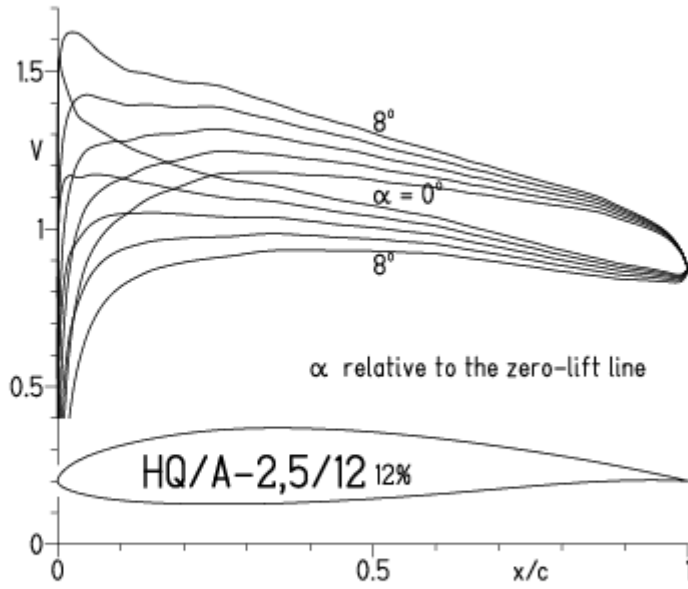
HQ/A-2,5/12 12%

- $Re = 0.1 \times 10^6 e^N, N=11$
- - - $0.2 \times 10^6 e^N, N=11$
- · - $0.4 \times 10^6 e^N, N=11$
- · - · $0.8 \times 10^6 e^N, N=11$
- · - · - $1.6 \times 10^6 e^N, N=11$



HQ/ACRO-2,5/12, N=9

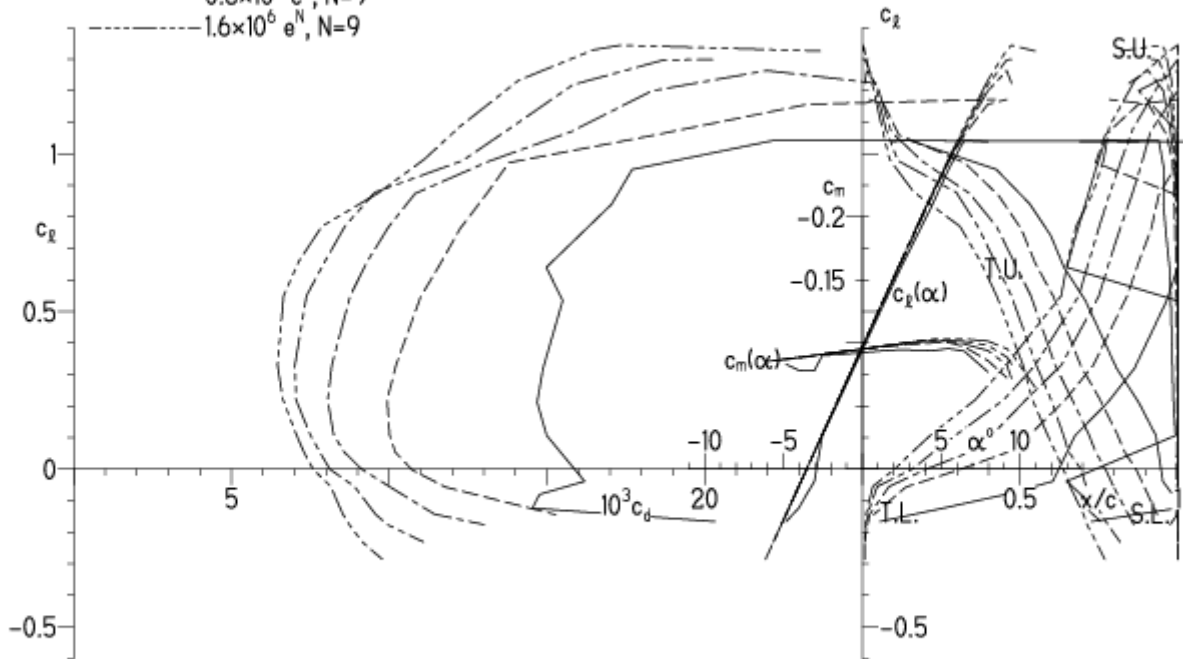
EPPLER 2005 V. 8.5.07 RUN 22.8.12 12:06



EPPLER 2005 V. 8.5.07 RUN 22.

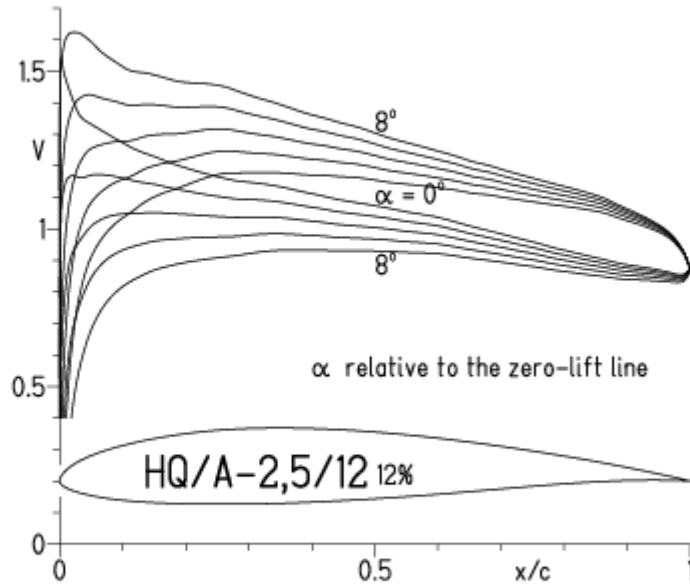
HQ/A-2,5/12 12%

- $Re = 0.1 \times 10^6$, e^N , $N=9$
- - - 0.2×10^6 , e^N , $N=9$
- · - 0.4×10^6 , e^N , $N=9$
- · - 0.8×10^6 , e^N , $N=9$
- · - 1.6×10^6 , e^N , $N=9$



HQ/ACRO-2,5/12, N=9 (turbulenter Flächenspitzenbereich)

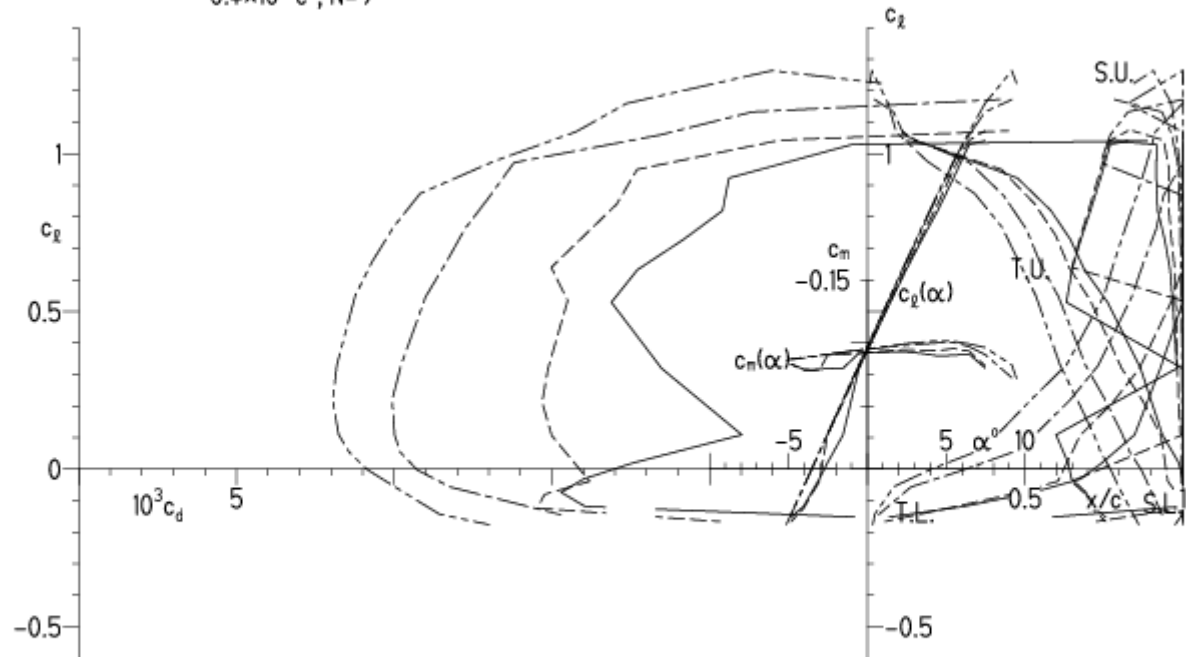
EPPLER 2005 V. 8.5.07 RUN 22.8.12 12:11



EPPLER 2005 V. 8.5.07 RUN 22.8.12 12:11

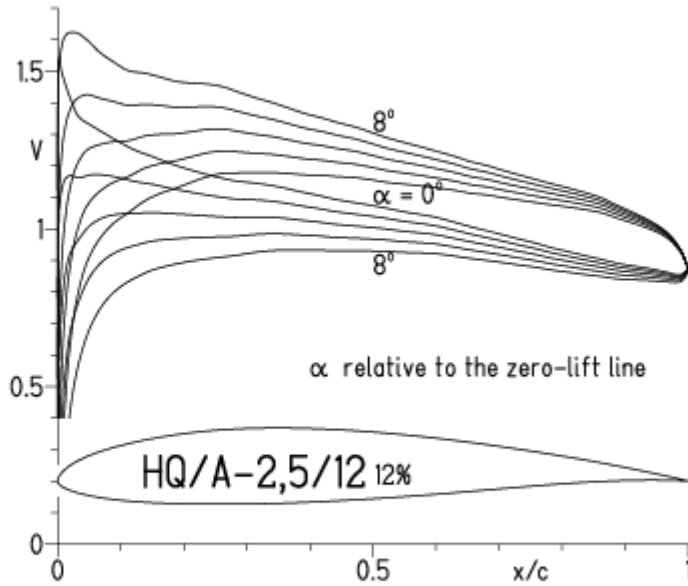
HQ/A-2,5/12 12%

- $Re = 75\,000 e^N, N=9$
- - - $0.1 \times 10^6 e^N, N=9$
- · - $0.2 \times 10^6 e^N, N=9$
- · - · $0.4 \times 10^6 e^N, N=9$



HQ/ACRO-2,5/12, N=7 (turbulenter Flächenspitzenbereich)

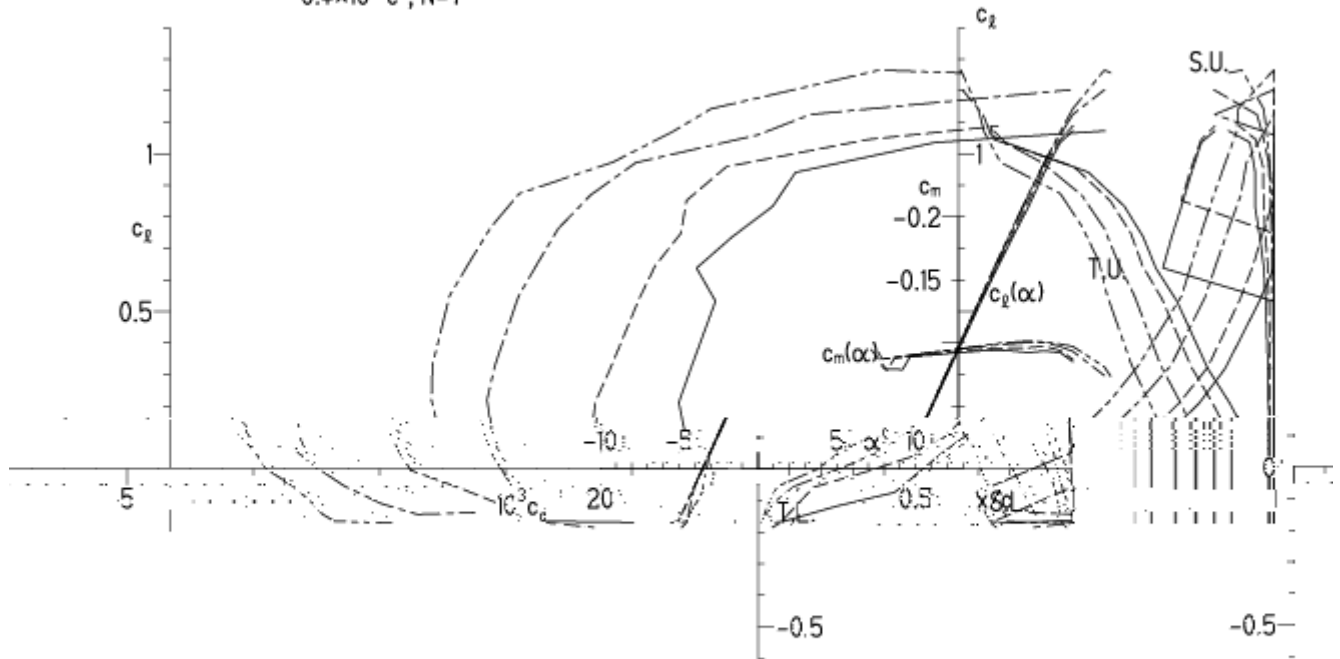
EPPLER 2005 V. 8.5.07 RUN 22.8.12 12:24



EPPLER 2005 V. 8.5.07 RUN

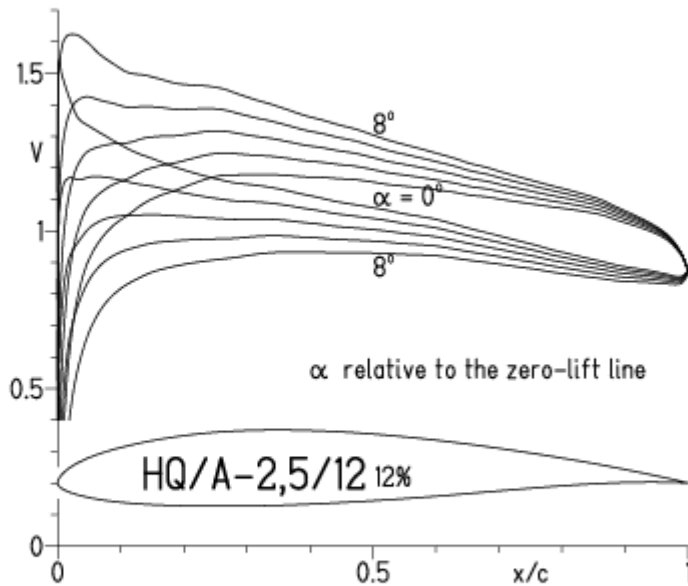
HQ/A-2,5/12 12%

- $Re = 75\,000 e^N, N=7$
- - - $0.1 \times 10^6 e^N, N=7$
- · - $0.2 \times 10^6 e^N, N=7$
- · - · $0.4 \times 10^6 e^N, N=7$



HQ/ACRO-2,5/12, N=7 (turbulenter Flächenspitzenbereich), Turbulatoreffekt

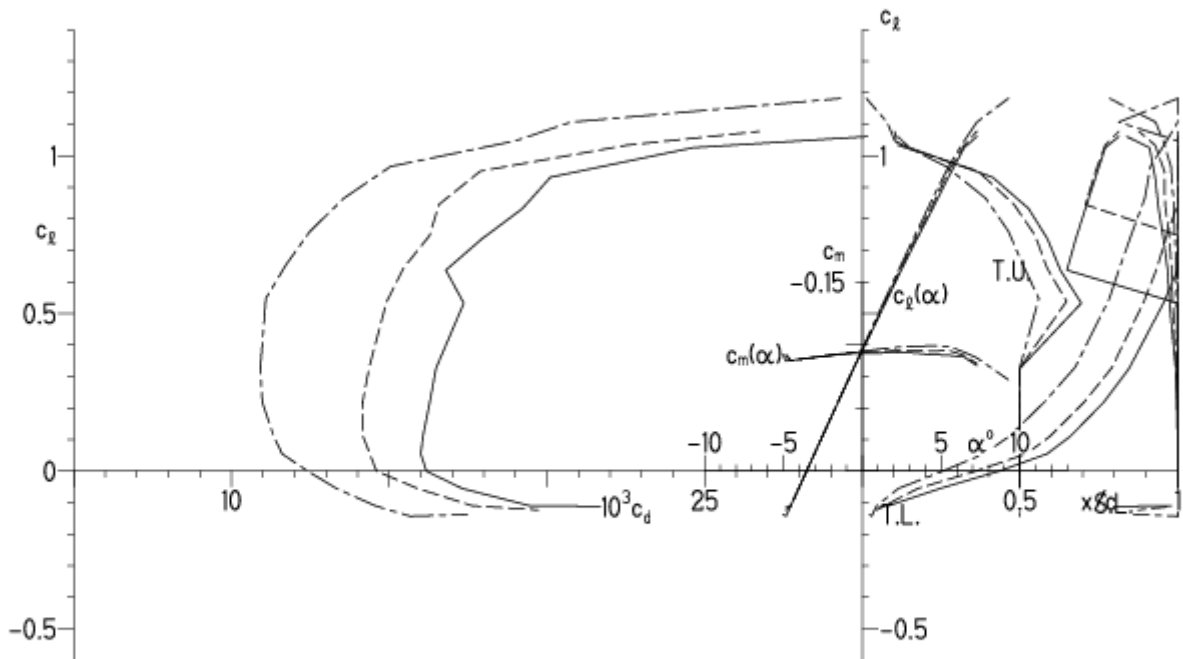
EPPLER 2005 V. 8.5.07 RUN 22.8.12 13:53



EPPLER 2005 V. 8.5.07 RUN 22.8.12 13:53

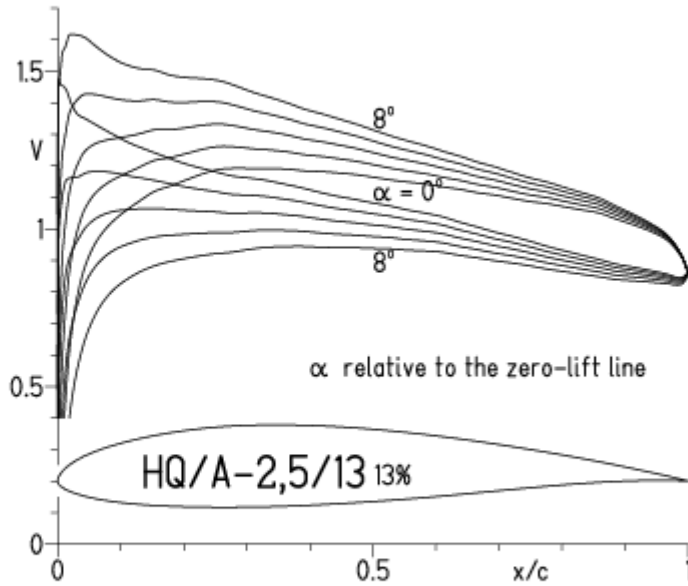
HQ/A-2,5/12 12%

- $Re = 75\,000$, Turb. upper 50% e^N , $N=7$
- - - 0.1×10^6 , Turb. upper 50% e^N , $N=7$
- · - 0.2×10^6 , Turb. upper 50% e^N , $N=7$

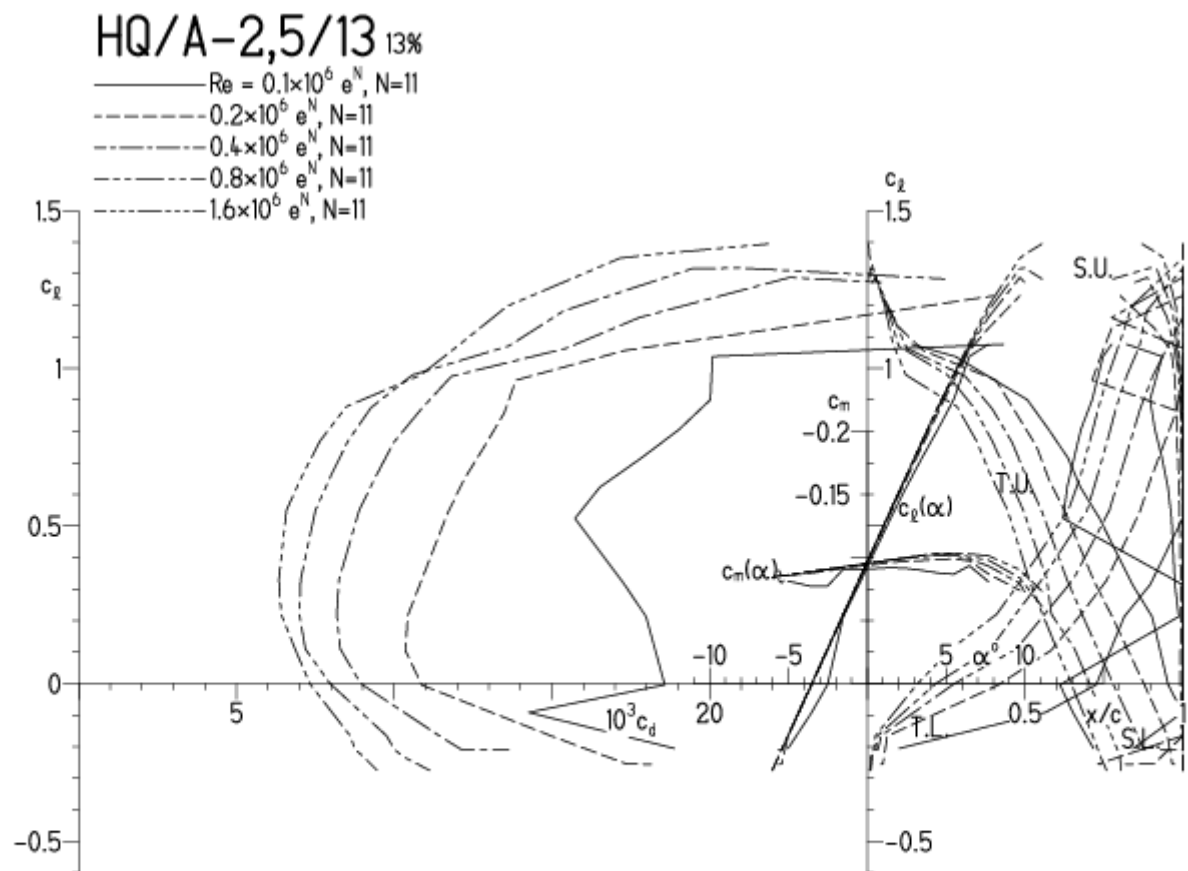


HQ/ACRO-2,5/13, N=11

EPPLER 2005 V. 8.5.07 RUN 22.8.12 13:05

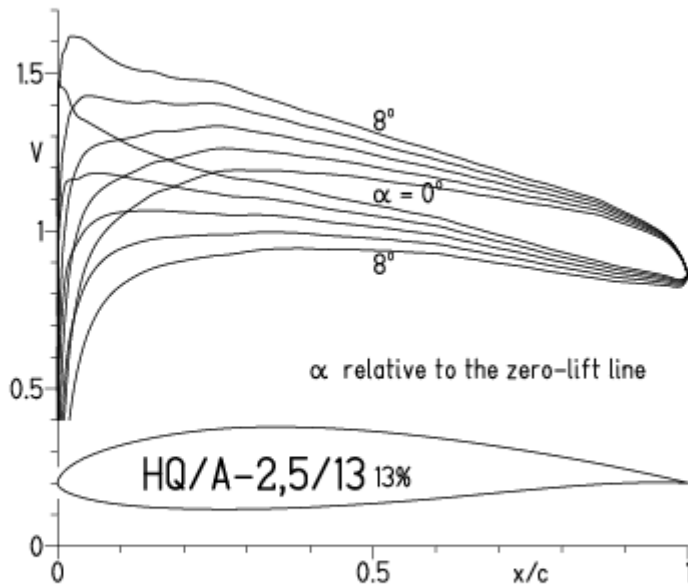


EPPLER 2005 V. 8.5.07 RUN 22.8.12 13:05



HQ/ACRO-2,5/13, N=9

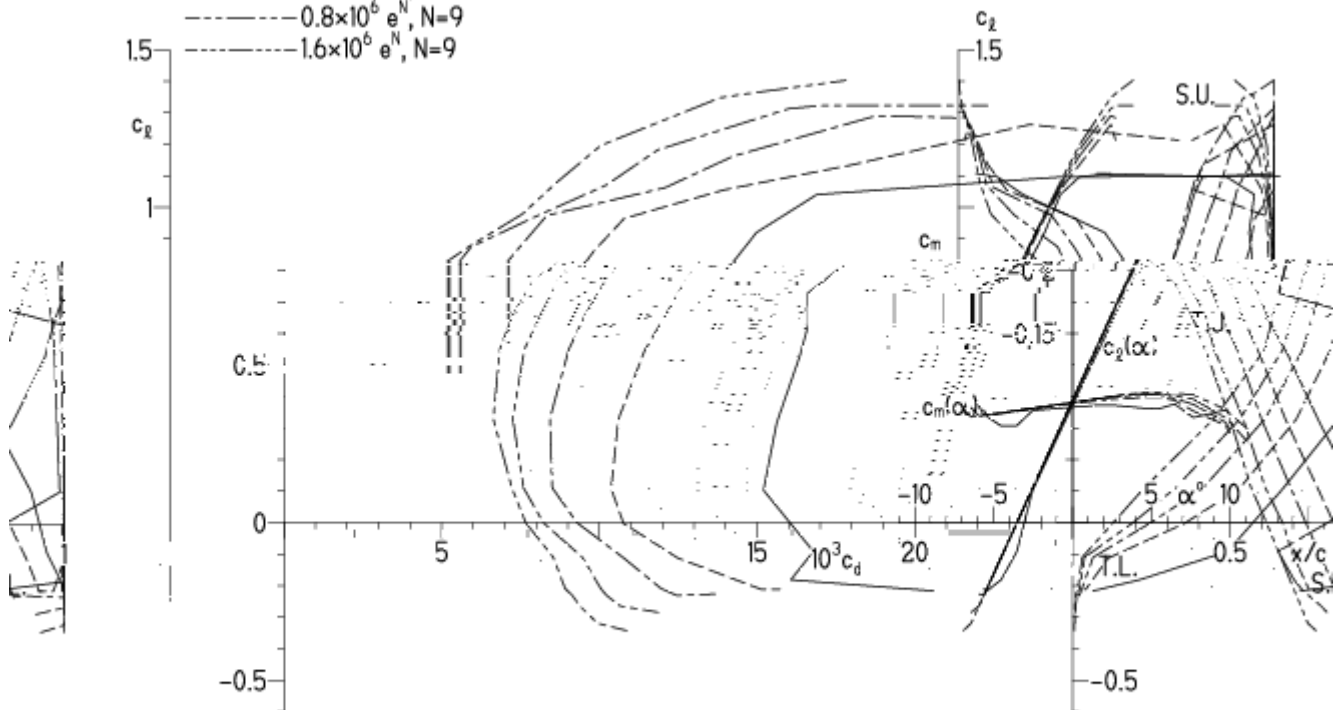
EPPLER 2005 V. 8.5.07 RUN 22.8.12 13:22



EPPLER 2005 V. 8.5.07 RUN 22.8.12

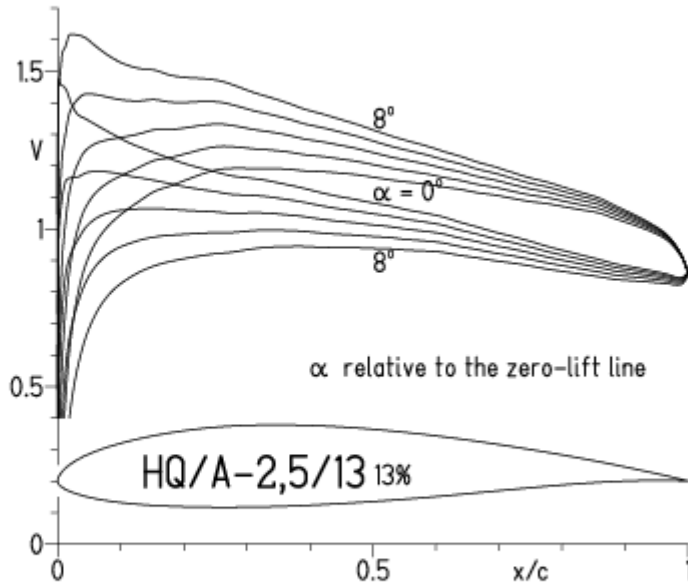
HQ/A-2,5/13 13%

- $Re = 0.1 \times 10^6$, e^N , $N=9$
- - - 0.2×10^6 , e^N , $N=9$
- · - 0.4×10^6 , e^N , $N=9$
- - - 0.8×10^6 , e^N , $N=9$
- · - 1.6×10^6 , e^N , $N=9$



HQ/ACRO-2,5/13, N=9 (turbulenter Flächenspitzenbereich)

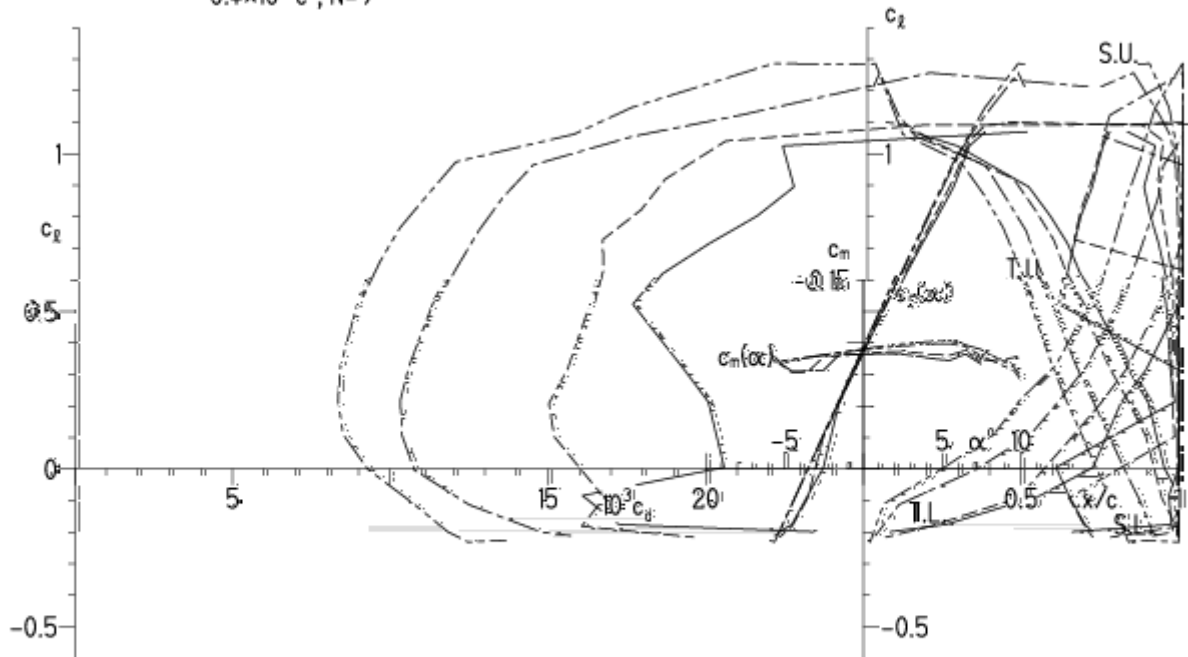
EPPLER 2005 V. 8.5.07 RUN 22.8.12 13:28



EPPLER 2005 V. 8.5.07 RUN 22.8.12 13:28

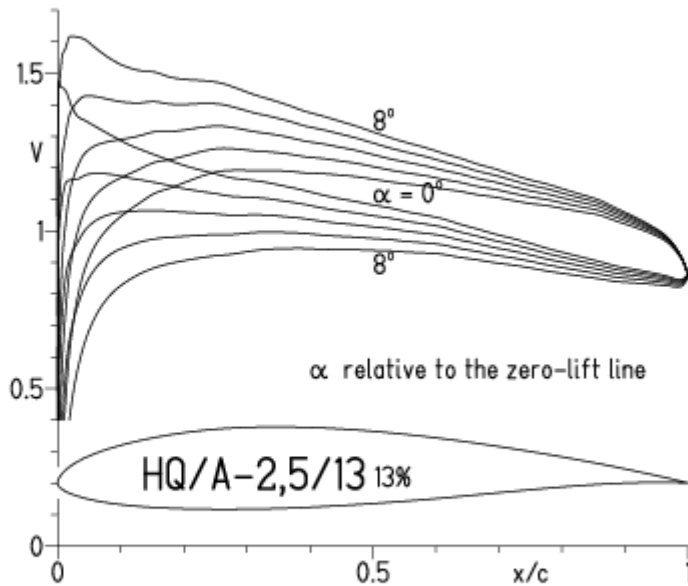
HQ/A-2,5/13 13%

- $Re = 75\,000 e^N, N=9$
- - - $0.1 \times 10^6 e^N, N=9$
- · - $0.2 \times 10^6 e^N, N=9$
- · - · $0.4 \times 10^6 e^N, N=9$



HQ/ACRO-2,5/13, N=7 (turbulenter Flächenspitzenbereich)

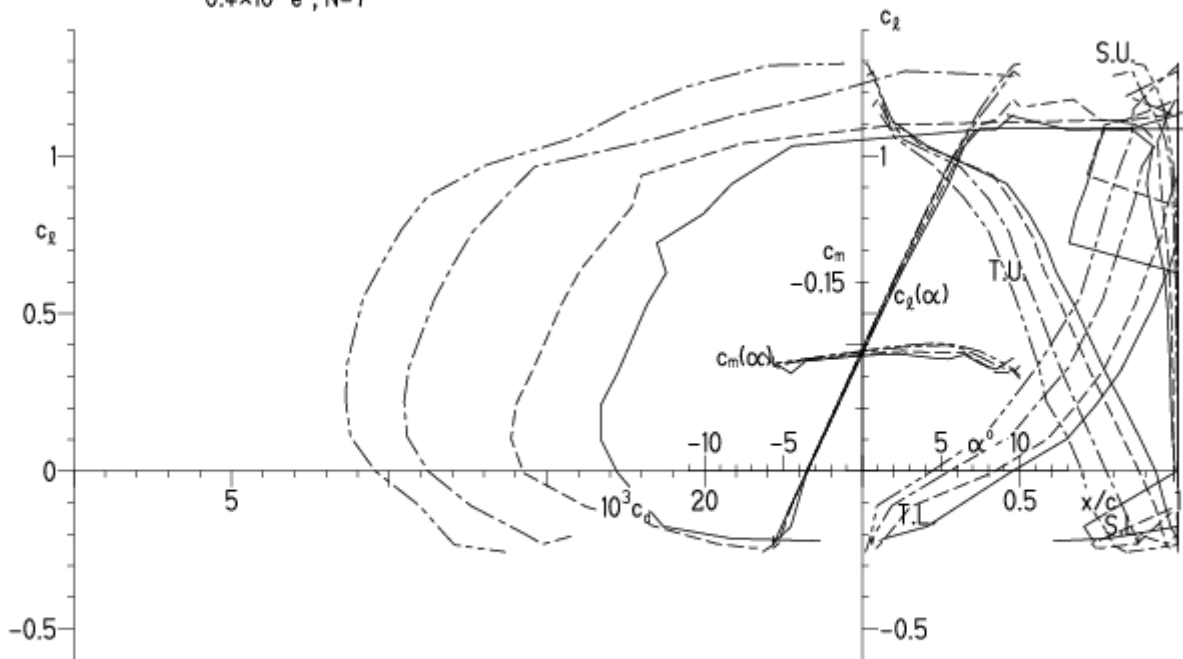
EPPLER 2005 V. 8.5.07 RUN 22.8.12 13:46



EPPLER 2005 V.

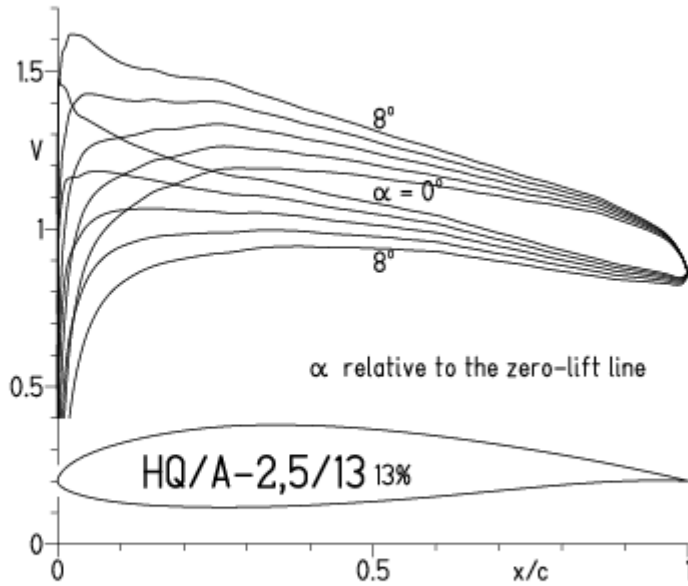
HQ/A-2,5/13 13%

- $Re = 75\,000 e^N, N=7$
- - - $0.1 \times 10^6 e^N, N=7$
- · - $0.2 \times 10^6 e^N, N=7$
- · - · $0.4 \times 10^6 e^N, N=7$



HQ/ACRO-2,5/13, N=7 (turbulenter Flächenspitzenbereich), Turbulatoreffekt

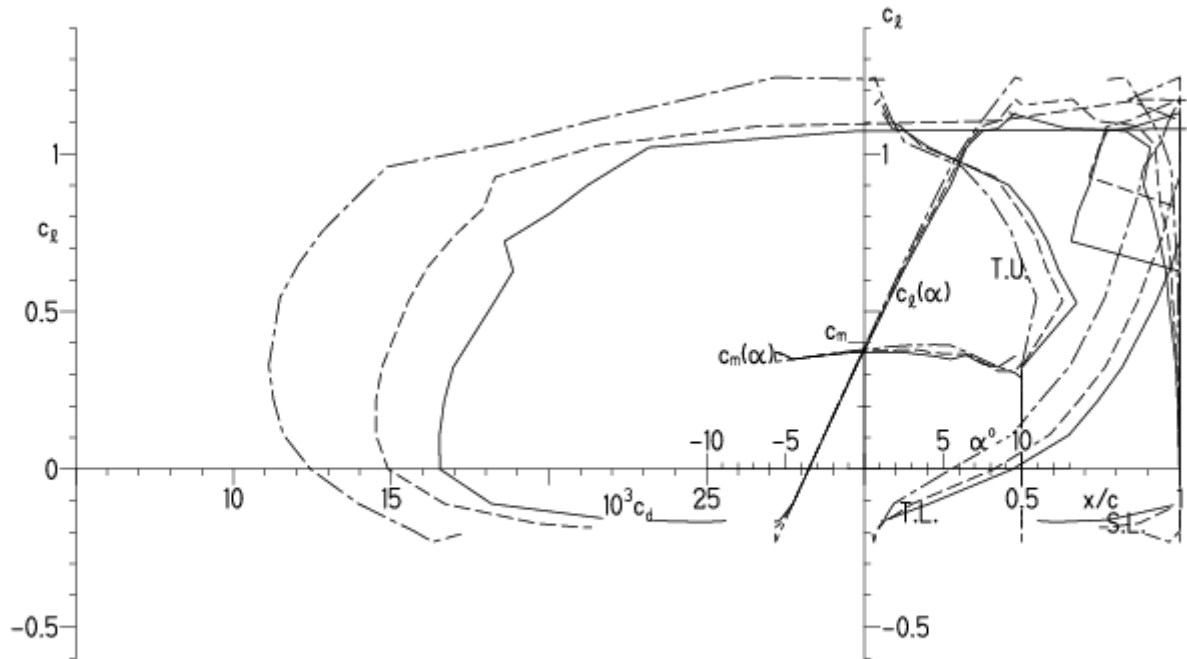
EPPLER 2005 V. 8.5.07 RUN 22.8.12 13:49



EPPLER 2005 V. 8.5.07 RUN 22.8.12 13:49

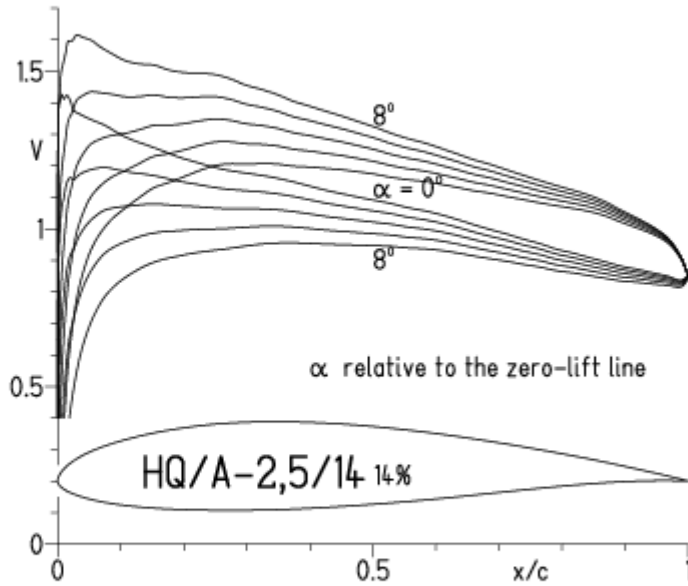
HQ/A-2,5/13 13%

- $Re = 75\,000$, Turb. upper 50% e^N , $N=7$
- - - 0.1×10^6 , Turb. upper 50% e^N , $N=7$
- · - 0.2×10^6 , Turb. upper 50% e^N , $N=7$



HQ/ACRO-2,5/14, N=11

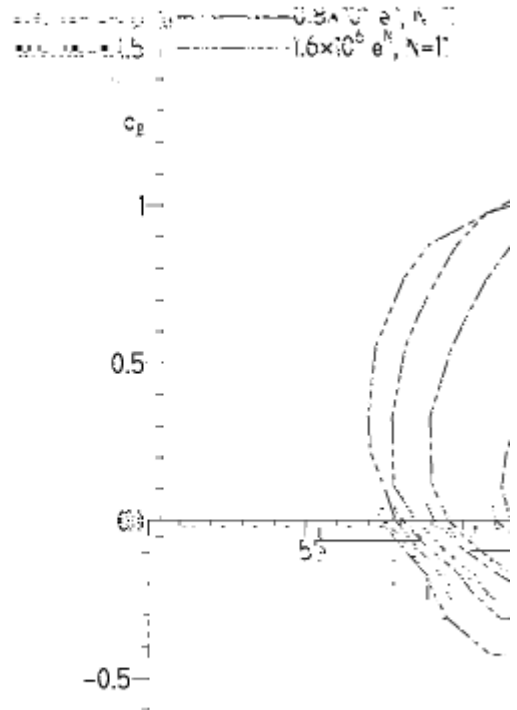
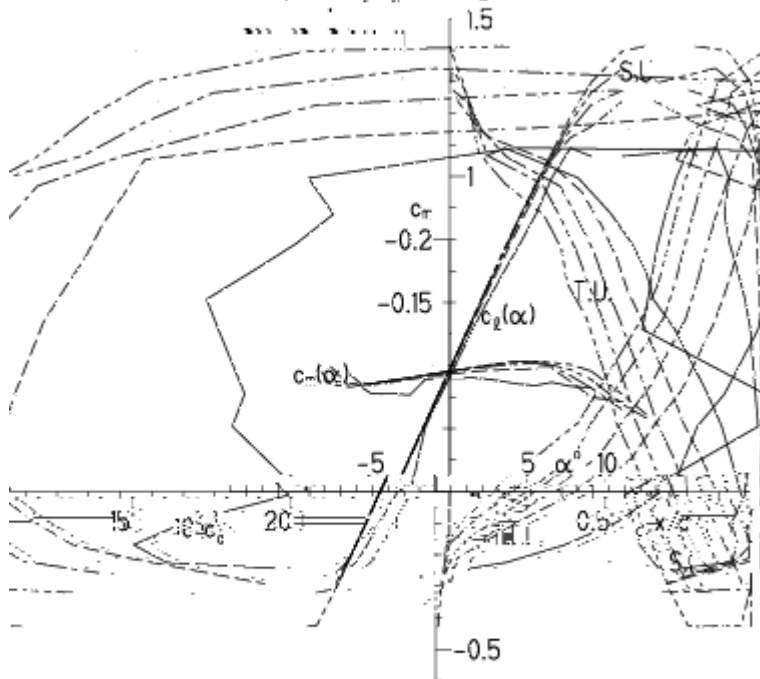
EPPLER 2005 V. 8.5.07 RUN 22.8.12 17:02



EPPLER 2005 V. 8.5.07 RUN 22.8.12 17:02

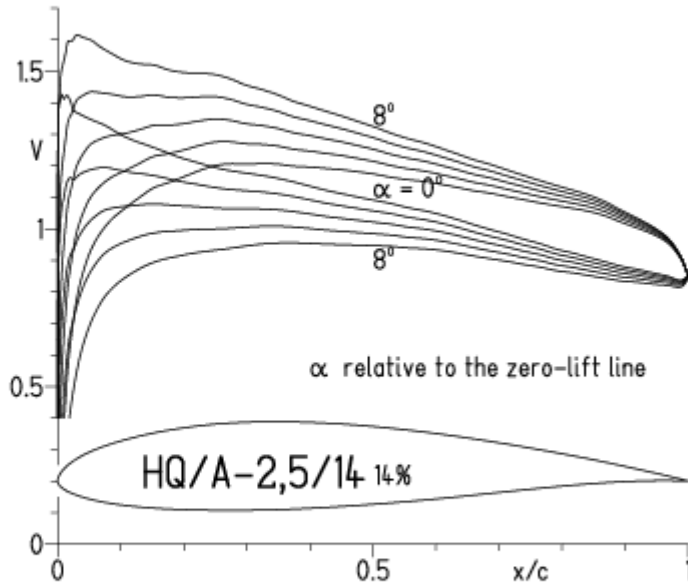
HQ/A-2,5/14 14%

- $Re = 0.1 \times 10^6 e^N, N=11$
- - - $0.2 \times 10^6 e^N, N=11$
- · - $0.4 \times 10^6 e^N, N=11$
- · · $0.8 \times 10^6 e^N, N=11$

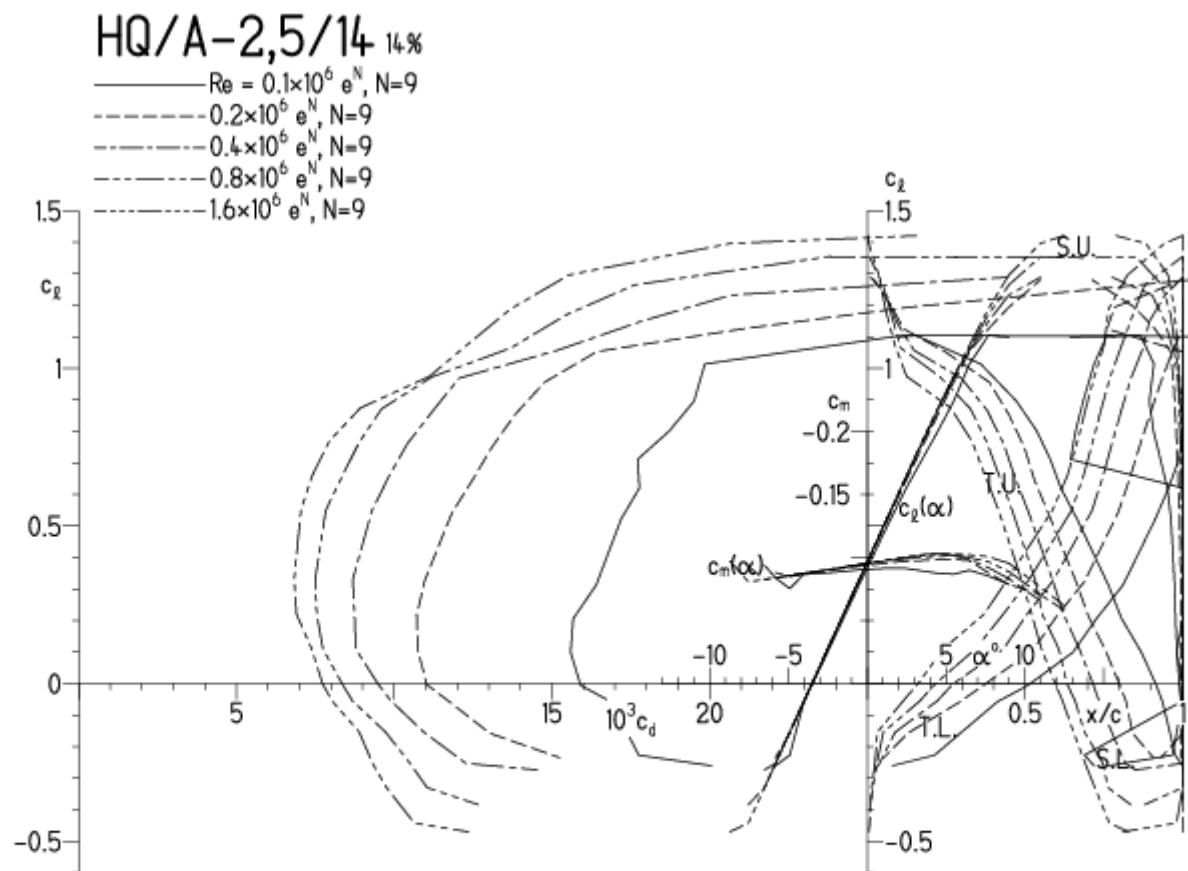


HQ/ACRO-2,5/14, N=9

EPPLER 2005 V. 8.5.07 RUN 22.8.12 17:26

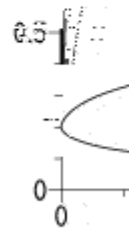
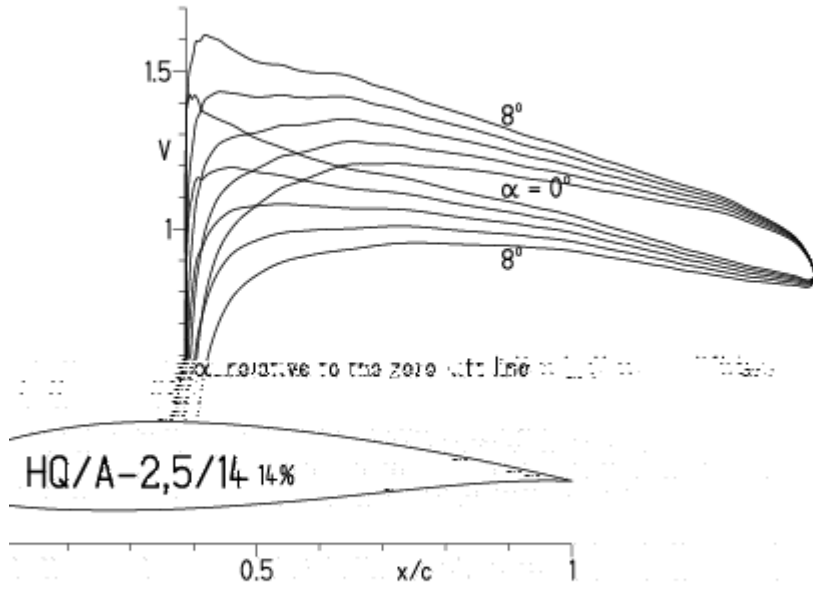


EPPLER 2005 V. 8.5.07 RUN 22.8.12 17:26



HQ/ACRO-2,5/14, N=9 (turbulenter Flächenspitzenbereich)

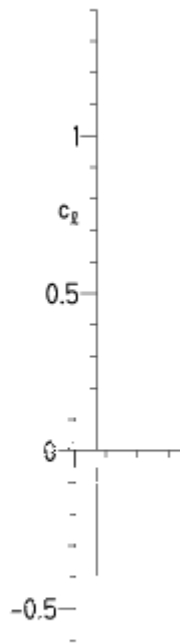
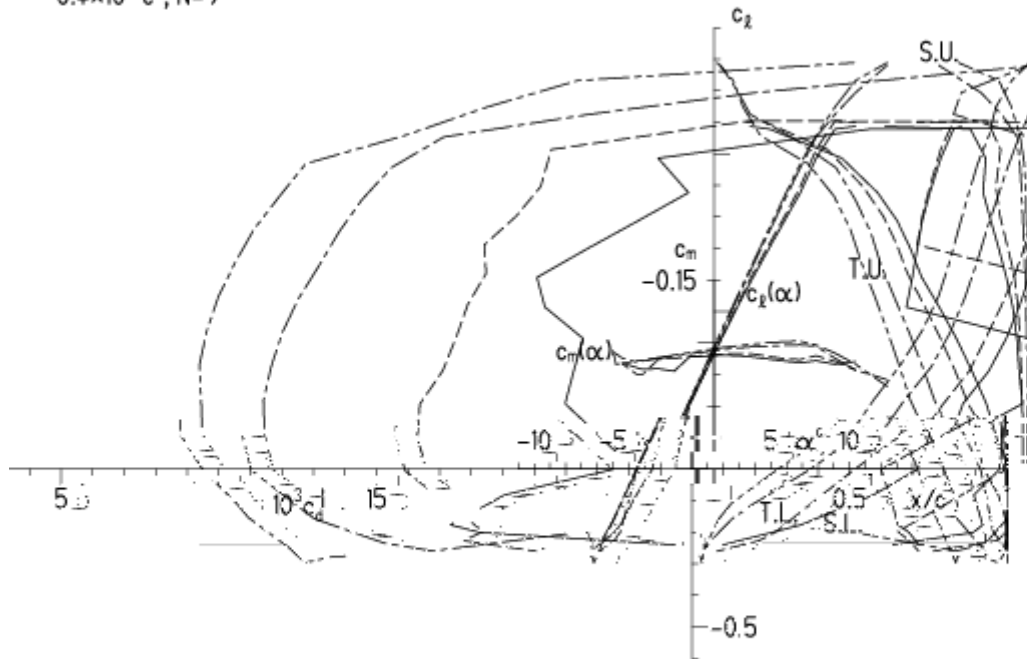
EPPLER 2005 V. 8.5.07 RUN 22.8.12 17:46



HQ/A-2,5/14 14%
 — Re = 75 000 e^N, N=9
 --- 0.1 × 10⁶ e^N, N=9
 --- 0.2 × 10⁶ e^N, N=9
 --- 0.4 × 10⁶ e^N, N=9

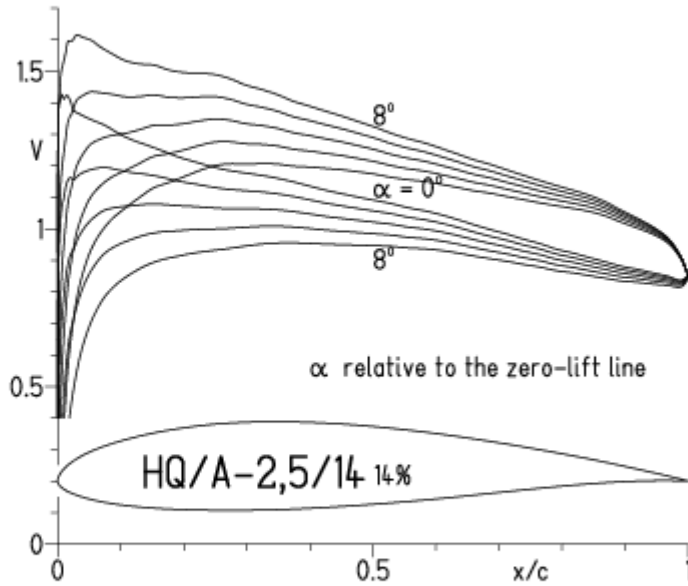
EPPLER 2005 V. 8.5.0

HQ,



HQ/ACRO-2,5/14, N=7 (turbulenter Flächenspitzenbereich)

EPPLER 2005 V. 8.5.07 RUN 22.8.12 17:49



EPPLER 2005 V. 8.5.07 RUN 22.8.12 17:49

HQ/A-2,5/14 14%

- $Re = 75\,000 e^N, N=7$
- - - $0.1 \times 10^6 e^N, N=7$
- · - $0.2 \times 10^6 e^N, N=7$
- · - · $0.4 \times 10^6 e^N, N=7$

